



## Shackle Bolts & Nuts

- SB2W/N - Shackle Bolt w/nut ( $\frac{9}{16}$ " X 3" for 1 $\frac{3}{4}$ " spring)
- SBN3 (6-7) - Shackle Bolt Nut **ONLY** ( $\frac{9}{16}$ "-18)
- 5810 - Shackle Bolt ( $\frac{9}{16}$ " for 1 $\frac{3}{4}$ " spring)\*
- 5845 - Shackle Bolt w/Zerk ( $\frac{9}{16}$ " for 1 $\frac{3}{4}$ " spring)\*
- \*6717 - Flange Nut **ONLY** ( $\frac{7}{16}$ "-20) (7-126, 7-187 & 7-236-1)

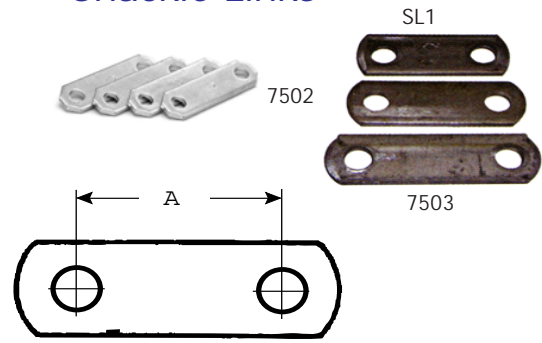


- 5811 - Shackle Bolt **ONLY**( $\frac{9}{16}$ " X 3.5" for 2" spring) use SBN3
- 7-236-1- Shackle Bolt w/Zerk ( $\frac{9}{16}$ " for 2" spring)\*

- 7-1-1 -  $\frac{7}{8}$ " For 2" wide springs
- 6-111 - Nut for 7-1-1
- 7-7 -  $\frac{5}{16}$ " Keeper Bolt for 2" wide springs
- 6-11 - Nut for 7-7

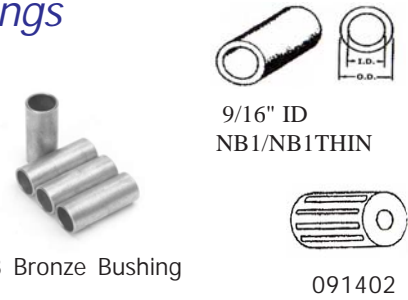


## Shackle Links



- SL1 / 18-11 - Shackle Link A 2.25"
- 7502 - Shackle Link A 2.56"
- 7503 - Shackle Link A 3.12"

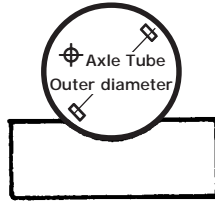
## Bushings



- 1530193 Bronze Bushing
- NB1 - Nylon Bushing (.74" O.D.)
- 8137 - Nylon Bushing (.71" O.D. 23/32)
- 1530193 - Bronze Bushing for use w/7-187 shackle bolt (.57" ID .69" OD 1.74" LONG)
- 091402 - Nylon Bushing (.57" ID 1.31" OD 2.20" LONG)

## Saddles

(SPRING SEATS)



- 7610 - 2000 lb. Straight Axles  $\phi$ 1.75"
- 7602 - 2000 lb. Drop & 3500 lb. Axles  $\phi$ 2.375"
- 7603 - 5,200, 6,000, Axles  $\phi$ 3.00"
- 7626 - 7,000 lb. Axles  $\phi$ 3.00"
- 3-48 - 8,000 lb. Axles  $\phi$ 3.50"
- 3-51 - 9,000 lb. Axles  $\phi$ 4.00"
- 3-66 - 10,000, 12,000, and 15,000 lb. Axles  $\phi$ 5.00"

## Over / Under Spring Seat Kits

- 3-62 - 2-3/8" SPRING SEAT
- 7613 - 2-3/8" (QTY 2)
- 71-384 - 2-3/8" W/ U-BOLTS
- 3-63 - 3" SPRING SEAT
- 7614 - 3" (QTY 2)
- 71-385 - 3" W/ U-BOLTS



## Shock Kit

13.75" COLLAPSED  
18" EXTENDED



- 1 7709 3" Shock Plate
- 7710 2-3/8" Shock Plate
- 2 9945 Shock Absorber
- 3 09351605 Upper Bracket