



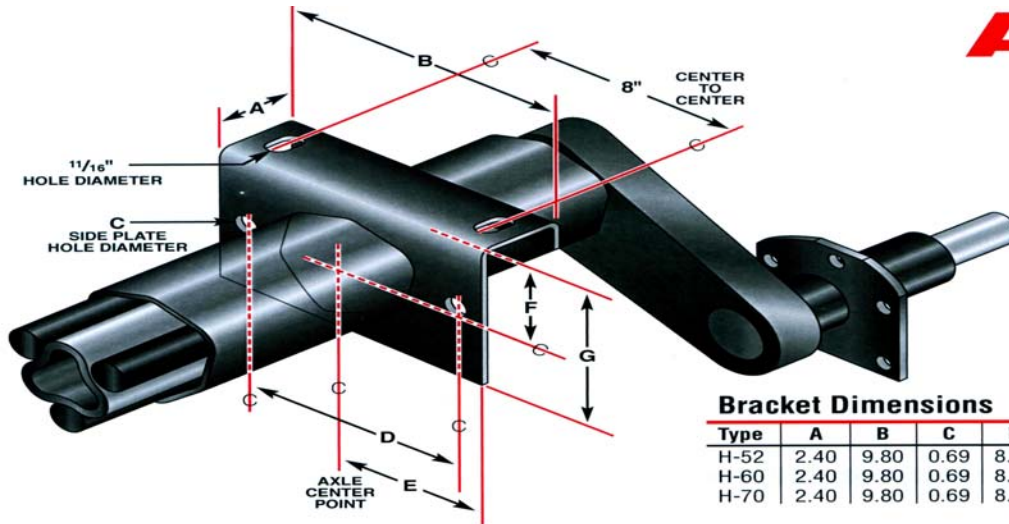
H52 5200LB MAX  
H60 6000LB MAX  
H70 7000LB MAX

**FEATURES:**

- 120 mm Outer Axle Tube
- BOLT PATTERN AVAILABLE:  
• 655 and 865
- 12" X 2" Electric Brake
- 12" X 2" Hydraulic Brake
- Hydraulic Disc Brake
- ULTRA-LUBE
- Independent suspension
- 5 Year limited warranty

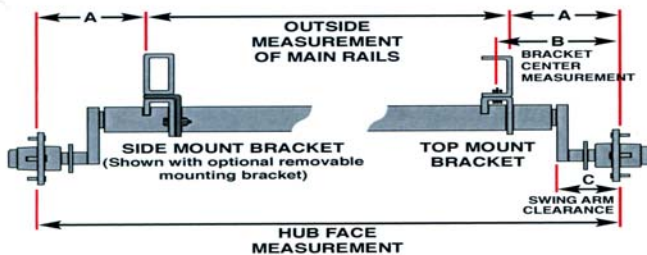


**AL-KO**



**Bracket Dimensions**

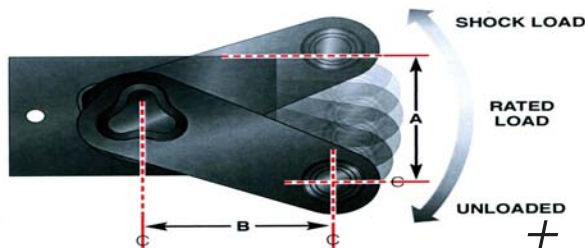
Type	A	B	C	D	E	F	G
H-52	2.40	9.80	0.69	8.00	4.90	2.75	6.00
H-60	2.40	9.80	0.69	8.00	4.90	2.75	6.00
H-70	2.40	9.80	0.69	8.00	4.90	2.75	6.00



**Overhang Chart\***

Type	Capacity Max	Min Hub Face	A**		B		C
			Min	Max	Min	Max	
H-52	5200	54.77	14.91	32.00	17.31	34.40	7.21
H-60	6000	54.77	14.91	28.00	17.31	30.40	7.21
H-70	7000	62.64	14.91	24.00	17.31	26.40	7.21

\*Hub face measurements only available in 1/4" increments  
\*\*Add 1" minimum for side mount brackets turned outward



**Total Swing Arm Travel**

Type	Start Angle	A			B		
		Unloaded	Rated Load	Shock Load	Unloaded	Rated Load	Shock Load
H-52	+40	6.9	4.9	3.4	4.6	5.6	6.0
	+20	5.0	2.7	0.8	5.6	6.0	5.5
	+10	4.0	1.5	(0.1)	5.9	5.8	5.0
	0	3.0	(0.6)	(0.9)	6.0	5.5	4.6
	-10	2.0	(0.4)	(1.5)	5.9	5.0	4.2
H-70	-20	1.0	(1.1)	(2.4)	5.6	4.6	3.5
	+25	5.5	2.7	0.8	5.6	6.0	5.5
	0	3.0	(0.6)	(0.9)	6.0	5.5	4.6
	-20	1.0	(1.1)	(2.4)	5.6	4.6	3.5