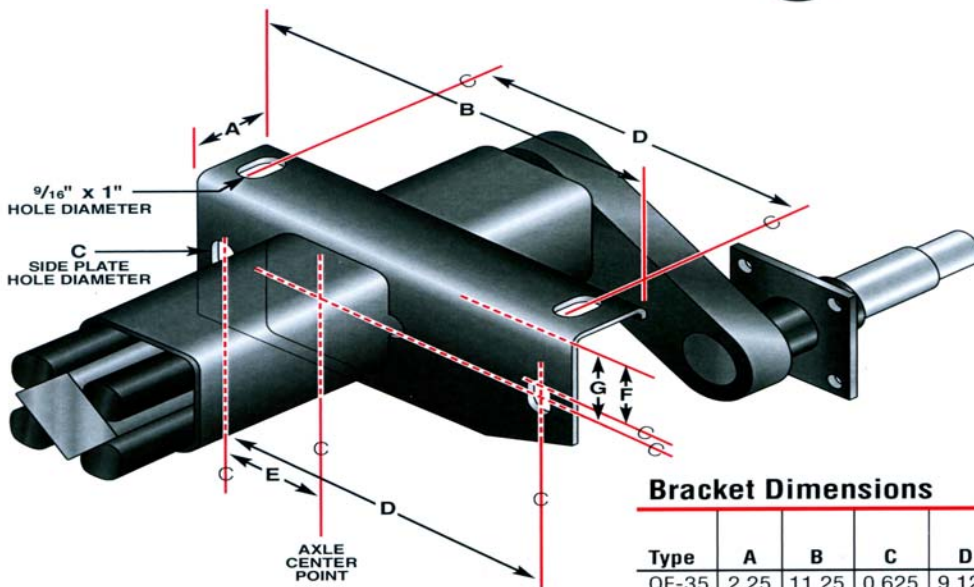




QF-35 3500LB MAX

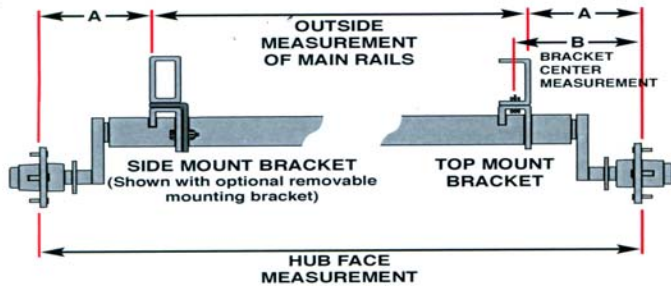


- Q-FLEX UTILIZES 4 RUBBER CORD DESIGN
- 2.63" OUTER TUBE
- 10" x 2.25" Available in 545, 5475, 550, 555, and 655 bolt patterns.
- 10" x 1.75" Available in 545, 550 bolt patterns
- Electric & Hydraulic Brake Available



Bracket Dimensions

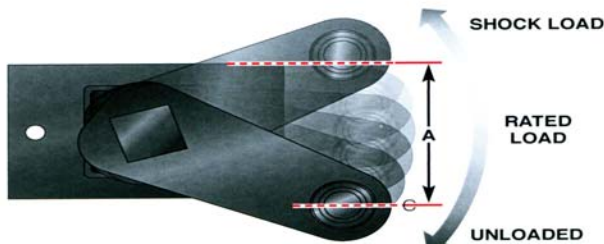
Type	A	B	C	D	E	F	G Low Profile	G High Profile
QF-35	2.25	11.25	0.625	9.120	4.25	2.00	1.56	2.31
QF-35	2.50	10.00	0.70	8.00	2.50	1.62	1.53	—



Overhang Chart*

Type	Capacity Max	Min Hub Face	Min A	Max A	Min B	Max B
QF-35	3500	49.00	13.00	26.00	15.25	28.25

*Hub face measurements only available in 1/4" increments



Total Swing Arm Travel

Type	Start Angle	Low Profile			High Profile		
		Unloaded	Rated Load	Shock Load	Unloaded	Rated Shock Load	Shock Load
QF-35	45 Down	5.81	4.06	2.06	6.56	4.81	2.81
	22.5 Down	3.62	1.56	(0.50)	4.37	2.31	0.25
	10 Down	2.56	0.56	(1.44)	3.31	1.31	(0.69)
	0	1.56	(0.50)	(2.32)	2.31	0.25	(1.57)
	10 Up	0.56	(1.19)	(2.69)	1.31	(0.44)	(1.94)
	22.5 Up	(0.50)	(2.07)	(3.44)	0.25	(1.32)	(2.69)