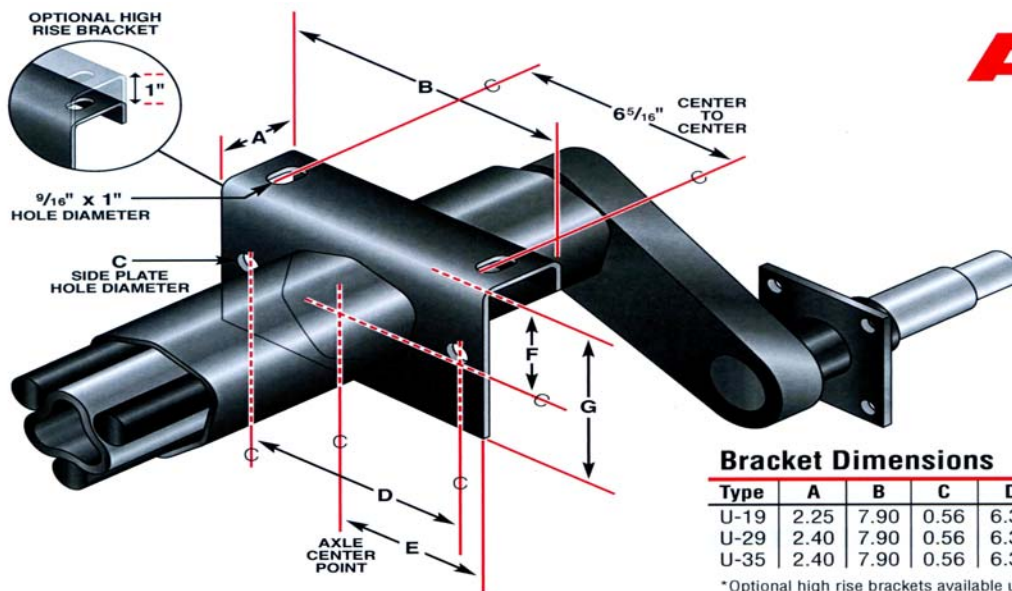
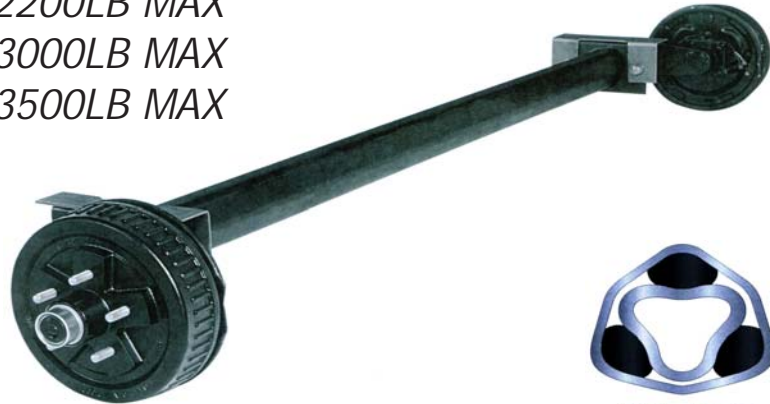




U19 2200LB MAX  
U29 3000LB MAX  
U35 3500LB MAX

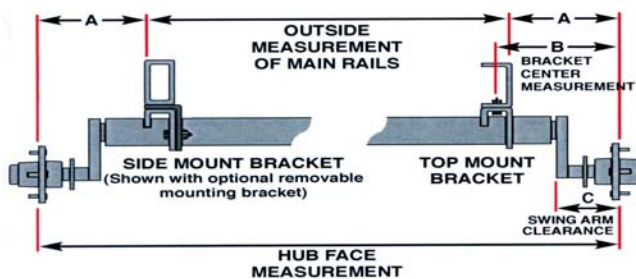
- 80 mm Outer Tube on U19
- 97 mm Outer Tube on U29,U35
- 10" x 2.25" Available in 545, 5475, 550, 555, and 655 bolt patterns.
- 10" x 1.75" Available in 545, 550 bolt patterns
- Electric & Hydraulic Brake Available



### Bracket Dimensions

Type	A	B	C	D	E	F*	G
U-19	2.25	7.90	0.56	6.30	3.95	2.63	4.20
U-29	2.40	7.90	0.56	6.30	3.95	2.63	5.10
U-35	2.40	7.90	0.56	6.30	3.95	2.63	5.10

\*Optional high rise brackets available upon request



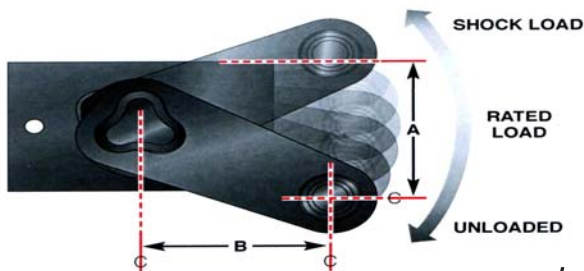
### Overhang Chart\*

Type	Capacity Max	Min Hub Face	A**		B		C
			Min	Max	Min	Max	
U-19	2200	45.03	13.05	20.00	15.30	22.25	6.28
U-29	3000	48.97	13.05	24.00	15.30	26.25	6.28
U-35	3500	52.91	13.05	23.00	15.45	25.40	6.28

\*Hub face measurements only available in 1/4" increments  
\*\*Add 1" minimum for side mount brackets turned outward

### Total Swing Arm Travel

Type	Start Angle	A			B		
		Unloaded	Rated Load	Shock Load	Unloaded	Rated Load	Shock Load
U-19	+40	5.8	3.8	2.4	4.5	5.6	5.9
	+25	4.5	2.0	0.5	5.3	5.9	5.6
	+10	3.0	0.6	(1.0)	5.8	5.7	5.0
	0	2.0	(0.4)	(1.8)	5.9	5.4	4.5
	-10	1.0	(1.3)	(2.5)	5.8	4.9	4.1
U-29	+40	6.6	4.5	3.0	4.8	5.9	6.3
	+20	5.3	2.6	0.9	5.7	6.3	5.9
	+10	3.7	1.1	(0.6)	6.2	6.1	5.3
	0	2.6	0.0	(1.5)	6.3	5.7	4.8
	-10	1.5	(0.9)	(2.2)	6.2	5.3	4.4
U-35	+20	0.4	(1.9)	(3.2)	5.9	4.7	3.7



+