

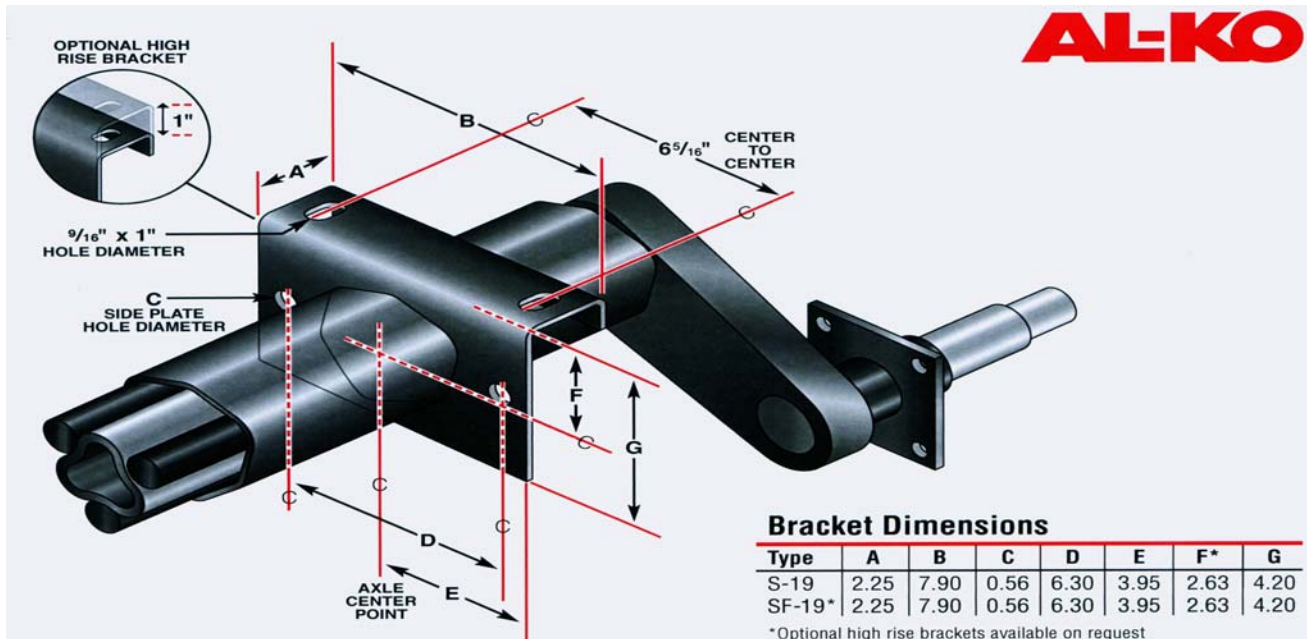


S19
SF19 **2200LB MAXIMUM**

- 80 mm Outer Tube
- 4 lug & 5 lug available.
- 7" Electric or Hydraulic Brake



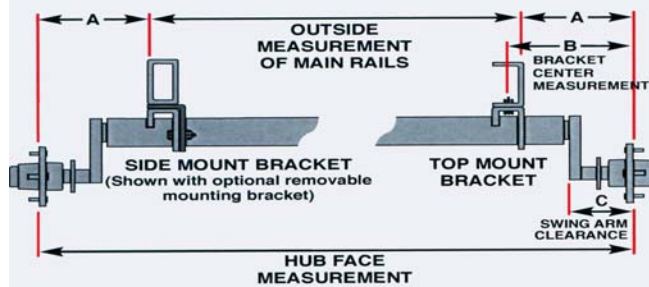
AL-KO



Bracket Dimensions

Type	A	B	C	D	E	F*	G
S-19	2.25	7.90	0.56	6.30	3.95	2.63	4.20
SF-19*	2.25	7.90	0.56	6.30	3.95	2.63	4.20

*Optional high rise brackets available on request



Overhang Chart*

Type	Cap. Max	Min Hub Face	A***		B		C
			Min	Max	Min	Max	
S-19**	2200	42.05	10.07	20.00	12.32	22.25	4.78
S-19	2200	42.09	12.11	20.00	14.36	22.25	5.81
SF-19	2200	42.09	12.11	20.00	14.36	22.25	5.81

*Hub face measurements only available in 1/4" increments
 **Optional short spindle
 ***Add 1" minimum for side mount brackets turned outward

**S-19 and SF-19
Total Swing Arm Travel**

Start Angle	A			B		
	Unloaded	Rated Load	Shock Load	Unloaded	Rated Load	Shock Load
+40	5.8	3.8	2.4	4.5	5.6	5.9
+25	4.5	2.0	0.5	5.3	5.9	5.6
+10	3.0	0.6	(1.0)	5.8	5.7	5.0
0	2.0	(0.4)	(1.8)	5.9	5.4	4.5
-10	1.0	(1.3)	(2.5)	5.8	4.9	4.1
-20	0.0	(2.2)	(3.4)	5.5	4.5	3.4

