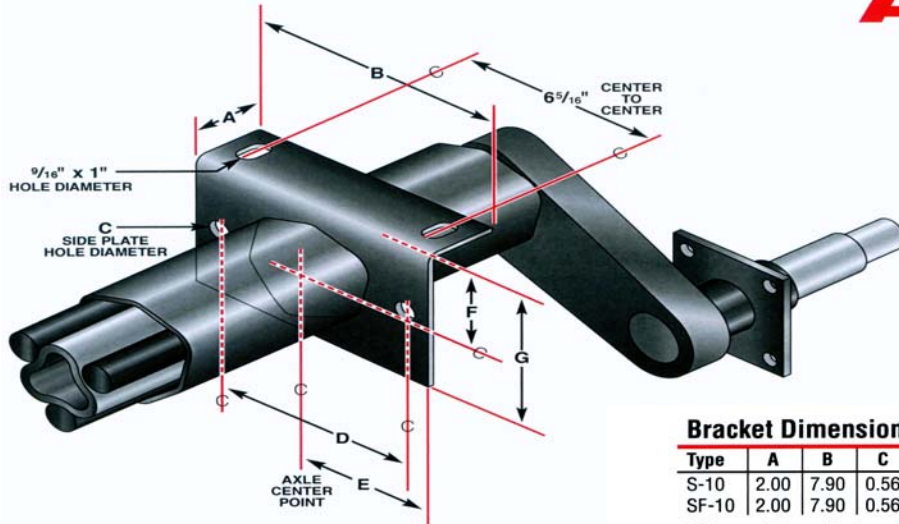




S10
SF10 1000LB MAXIMUM

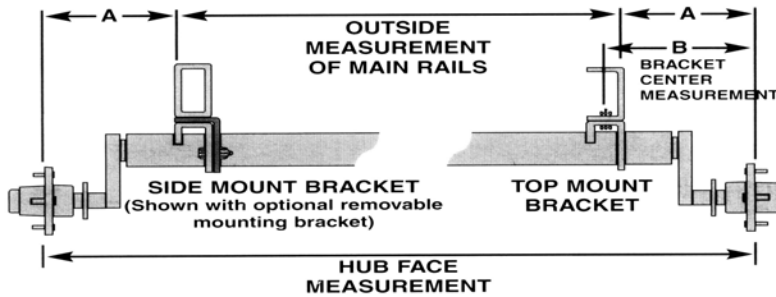
- "S" = Spindle, "SF" = Flanged
- 62 mm Outer Tube
- 4 lug & 5 lug available.



Bracket Dimensions

Type	A	B	C	D	E	F*	G
S-10	2.00	7.90	0.56	6.30	3.95	1.70	3.50
SF-10	2.00	7.90	0.56	6.30	3.95	1.70	3.50

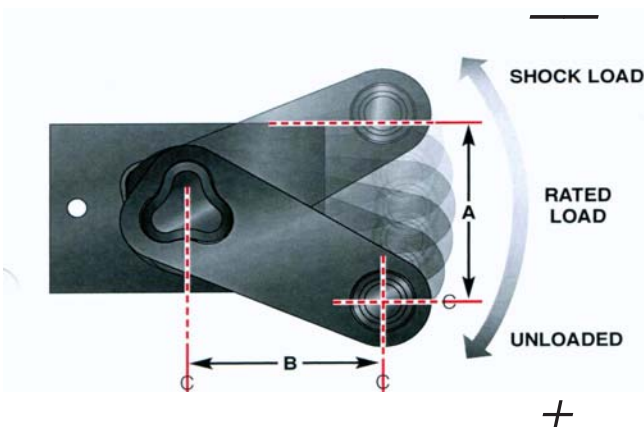
*Side mount holes optional, specify when ordering



Overhang Chart*

Type	Capacity Max	Min Hub Face	A		B		C
			Min	Max	Min	Max	
S-10	1000	34.57	10.47	19.40	12.47	21.40	4.98
SF-10	1000	36.61	12.51	19.40	14.51	21.40	6.00

*Hub face measurements only available in 1/4" increments



**S-10 and SF-10
Total Swing Arm Travel**

Start Angle	A			B		
	Unloaded	Rated Load	Shock Load	Unloaded	Rated Load	Shock Load
+40	5.0	3.6	2.1	3.9	4.7	5.1
+20	3.5	1.7	0.0	4.8	5.1	4.7
+10	2.6	0.8	(0.9)	5.0	5.0	4.3
0	1.7	0.0	(1.6)	5.1	4.8	3.9
-10	0.8	(0.9)	(2.3)	5.0	4.4	3.5
-20	0.0	(1.5)	(3.0)	4.8	4.0	2.9