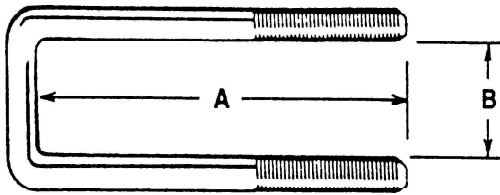




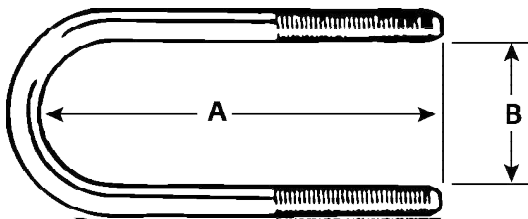
# U-BOLTS & TIE PLATES

## Square



U-BOLT	STOCK SIZE	A (IN)	B (IN)	THREAD LENGTH	TIE PLATE
UB6SW/N&W	9/16	4.75	1.5	2"	AP6
UB8W/N&W	9/16	5.75	2	2.5"	AP8

## Round



U-bolt	Stock Size (in.)	A (in.)	B (in.)	THREAD LENGTH	Tie Plate	Spring Width (in.)
11-54W/N*	3/8	4.25	1.75	1.5"	12-40	1 3/4
5920	1/2	4.25	1.75	2"	7717	1 3/4
11-21W/N&W	1/2	5.5	2 3/8	1.75"	AP238	1 3/4
					or 12-4	2
UB238W/N&W	1/2	6.25	2 3/8	1.75"	AP238	1 3/4
					or 12-4	2
11-16W/N&W	1/2	6	3	2"	AP300	1 3/4
					or 12-2	2
11-18W/N&W	1/2	7	3	2"	AP300	1 3/4
					or 12-2	2
11-65W/N&W	9/16	7.75	3.5	2"	12-37	2
11-55	3/4	9.25	4	2.5"		
11-77W/N*	5/8	9	5	2"	12-49	2 1/2
					or 12-53	3
11-70W/N*	3/4	9.5	5	2.5"	12-46	3

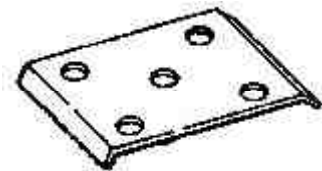
\* Does Not Use Lock Washer



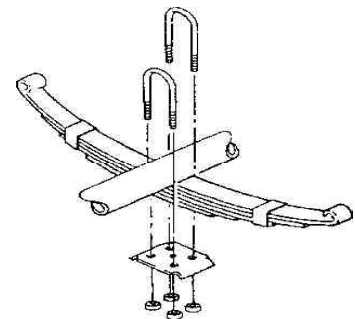
### Square Bend U-Bolt Kit

- 4 U-bolts
- 8 Hex Nuts
- 8 Lockwashers
- 4 Tie Bars
- Grade 5 Equivalent

U-BOLT KIT	STOCK SIZE	A (IN)	B (IN)
UB623514	5/8	14"	3.63"



### Tie Plate



### Nuts & Washers

(Included with U-bolts)

- 6-10 3/8" Nut
- 6-17 7/16" Nut
- UN1/2 1/2" Nut
- UBW2 1/2" Lock Washer
- UN9/16 9/16" Nut
- UBW1 9/16" Lock Washer
- 6-38 5/8" Nut
- 6-113 3/4" Nut