



*Round, Forged Steel Spring Bars
Heavy Duty Adjustable Formed Head
Evens Load, Improving Control
Built-in Sway Control Attachment Tabs
12 IN Shank fits 2 IN x 2 IN
Receiver Tube Openings*

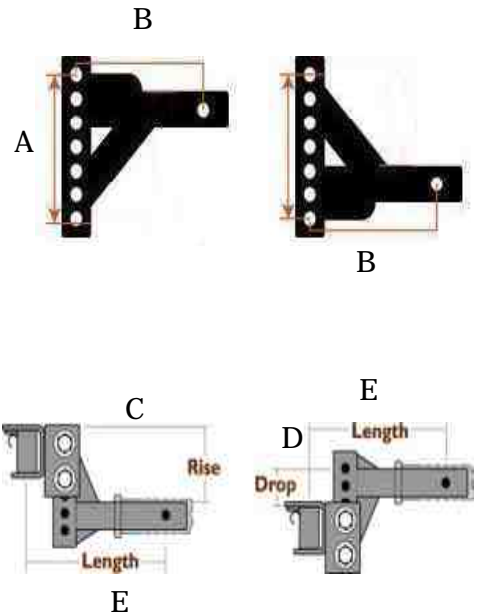
*Notes:
Includes a 2 IN x 2 IN Adjustable WD Shank,
Spring Bars, Adjustable Head, Hook-up
Brackets, Spring Bar Chain and
U-bolt, Pin & Clip
Does not include a trailer hitch ball.*

| Part # With 12" Shank | Description | Max. TW | Max. GTW |
|----------------------------------|-------------|-----------|-------------|
| CT17052 | Adjustable | 800-1000 | 8000-10000 |
| CT17007 | Adjustable | 1000-1400 | 10000-14000 |
| CT17063 w/Sway Control & Ball | Adjustable | 1000-1400 | 10000-14000 |

HY-LOW Shanks

Bolt Together Hy- Low Shank

| Part # | Shank Size | Height A | Length B | Rise C | Drop D | Length E |
|----------|------------|----------|----------|---------|---------|----------|
| CT17100* | 2 x 2" | 7-1/2" | 8" | 6" | 2" | 12" |
| CT17102 | 2 x 2" | 7-1/2" | 12" | 6" | 2" | 14" |
| CT17103 | 2 x 2" | 7-1/2" | 14" | 6" | 2" | 16" |
| CT17120 | 2 x 2" | 8-3/4" | 10" | 8-7/8" | 5-5/8" | 12" |
| CT17121 | 2 x 2" | 10" | 12" | 10-1/4" | 6" | 14" |
| CT17122 | 2 x 2" | 10" | 14" | 10-1/4" | 6" | 16" |
| CT17123 | 2 x 2" | 11-1/4" | 7" | 10-1/2" | 7" | 9" |
| CT17124 | 2 x 2" | 6-1/4" | 9" | -- | 8-3/4" | 11" |
| CT17125 | 2 x 2" | 6-1/4" | 8" | -- | 14-1/2" | 10" |



* WITH KIT



CT17125



CT17124



CT17123



CT17120



CT17100