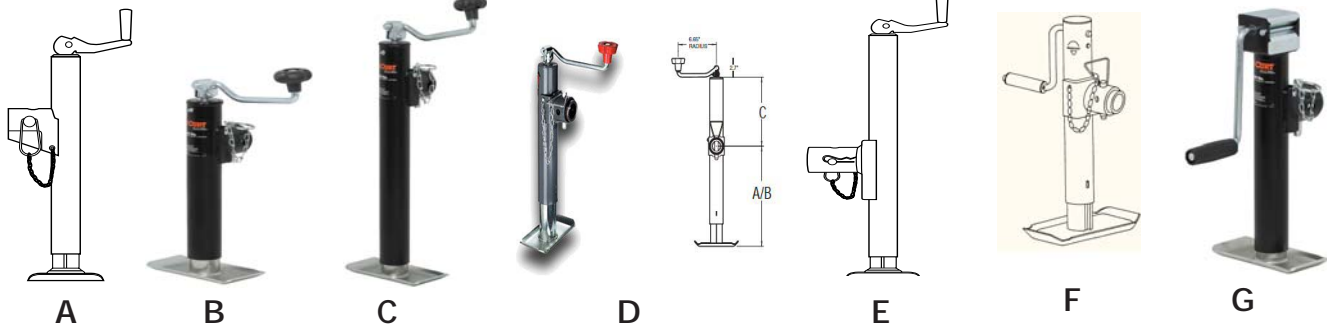


# TUBULAR SWIVEL JACK



2017-18



### TOPWIND TUBULAR SWIVEL JACK

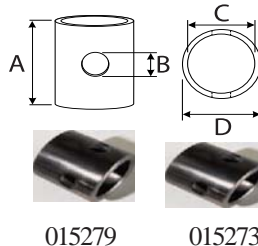
Part #	Capacity (lbs.)	Description:	Bracket Height Retracted (B) (in.)	Extended (A) (in.)	Bracket	Handle	Repair Kit
AT80459	A	2000 Atwood Tubular Swivel Jack, Steel Foot, Top Wind	11.7"	21.7"	AT81271	82700	
AT81353	A	2000 Atwood Tubular Swivel Jack, Steel Foot, Top Wind	14.9"	29.4"	AT81271	82700	
1400400303	A	2000 Cequent Tubular Swivel Jack, Steel Foot, Top Wind	11"	21"	included		
158451	B	2000 Hammerblow Tubular Swivel Jack, Steel Foot, Top Wind	11"	21"	included		
CT28320	B	2000 Curt Tubular Swivel Jack, Steel Foot, Top Wind	11"	21"	included	28937	28922
0091205	B	2000 Buyers Tubular Swivel Jack, Steel Foot, Top Wind	11.25"	21.25"	included		
158452	C	2000 Hammerblow Tubular Swivel Jack, Steel Foot, Top Wind	14.5"	29.5"	included		
CT28322	C	2000 Curt Tubular Swivel Jack, Steel Foot, Top Wind	14.5"	29.5"	included	28937	28922
1401200303	C	2000 Cequent Tubular Swivel Jack, Steel Foot, Top Wind	14.5"	29.5"	included		
0091215	C	2000 Buyers Tubular Swivel Jack, Steel Foot, Top Wind	14.5"	29.5"	included		
178101	B	5000 Hammerblow Top Wind w/Foot, Tube Mount	11.25"	21.25"	included		
1401460303	B	5000 Cequent Top Wind w/Foot, Tube Mount	11.2"	21.2"	included		
CT28350	B	5000 Curt Tubular Swivel Jack, Steel Foot, Top Wind	11"	21"	included		
178151	C	5000 Hammerblow Top Wind w/Foot, Tube Mount	14.7"	29.7"	included		
1401480303	C	5000 Cequent Top Wind w/Foot, Tube Mount	14.7"	29.7"	included		
CT28356	C	5000 Curt Tubular Swivel Jack, Steel Foot, Top Wind	14.7"	29.7"	included		
198100	D	7000 Hammerblow Top Wind w/Foot, Tube Mount	10.8"	20.8"	included		
198200	D	7000 Hammerblow Top Wind w/Foot, Tube Mount	15.8"	30.8"	included		
AT82471	E	5000 Atwood Tubular Swivel Jack, Steel Foot, Top Wind	11"	25.7"	AT82500	82700	

### SIDEWIND TUBULAR SWIVEL JACKS

158109	F	2000 Hammerblow Tubular Swivel Jack, Steel Foot, Side Wind	10.8	20.8	included	500256	500256
1401060303	F	2000 Cequent Tubular Swivel Jack, Steel Foot, Side Wind	11.2	21.2	included		
158151	F	2000 Hammerblow Tubular Swivel Jack, Steel Foot, Side Wind	14.5	29.5	included	500256	500256
CT28321	G	2000 Curt Tubular Swivel Jack, Steel Foot, Side Wind	10.8"	20.8"	included	28923	28924
CT28354	G	5000 Curt Tubular Swivel Jack, Steel Foot, Side Wind	11.25"	21.25"	included	28923	28924
178201	G	5000 Hammerblow Side Wind w/Foot, Tube Mount	10.4	20.4	included	500105	500106
0091220	G	5000 Buyers Side Wind w/Foot, Tube Mount	11.25	21.25	included		
1401420303	G	5000 Cequent Side Wind w/Foot, Tube Mount	10.5	20.5	included		
CT28358	G	5000 Curt Tubular Swivel Jack, Steel Foot, Side Wind	15.4"	30.4"	included	28923	28924
178203	G	5000 Hammerblow Side Wind w/Foot, Tube Mount	15.4	30.4	included	500105	500106
198250	G	7000 Hammerblow Side Wind w/Foot, Tube Mount	16	31	included	500171	50015

#### O.D. (Pin & Chain)

015273	2"	9/16"	500243
CT28931	2"	9/16"	28934
Weld-on bracket for 2000lb. tube-mount jacks			
015279	2"	5/8"	500231
CT28932	2"	5/8"	28935
Weld-on bracket for 5000lb. tube-mount jacks			
005024	3"	5/8"	500232
(500238 KIT) Weld-on bracket (2.56" I.D.) for 7000 lb. tube-mount jacks			



	A	B (pin size)	C	D
AT81271	2½	5/8	—	2
AT85670				
(male 2" O.D.) Weld-on bracket for 2000 lb. tube-mount jacks				
AT82500	3½	7/8	2½	3
(female 2½" I.D.) Weld-on bracket for 5000 lb. tube-mount jacks				

11-22-2017