



Shackle Bolts & Nuts

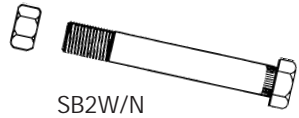
SB2W/N - Shackle Bolt w/nut ($\frac{9}{16}$ " X 3" for 1 $\frac{3}{4}$ " spring)

SBN3 (6-7) - Shackle Bolt Nut **ONLY** ($\frac{9}{16}$ "-18)

7-126 - Shackle Bolt ($\frac{9}{16}$ " for 1 $\frac{3}{4}$ " spring)*

7-187 - Shackle Bolt w/Zerk ($\frac{9}{16}$ " for 1 $\frac{3}{4}$ " spring)*

***6-92** - Flange Nut **ONLY** ($\frac{7}{16}$ "-20) (7-126, 7-187 & 7-236-1)



SB2W/N

7-126



6-92

7-17 - Shackle Bolt **ONLY** ($\frac{9}{16}$ " X 3.5" for 2" spring) use SBN3

7-236-1 - Shackle Bolt w/Zerk ($\frac{9}{16}$ " for 2" spring)*

7-1-1 - $\frac{7}{8}$ " For 2" wide springs

6-111 - Nut for 7-1-1

7-7 - $\frac{5}{16}$ " Keeper Bolt for 2" wide springs

6-11 - Nut for 7-7



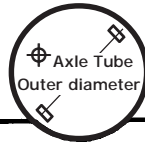
6-111 6-11 6-7



7-17 7-7 7-1-1

Saddles

(SPRING SEATS)



3-49 - 2000 lb. Straight Axles ⌀1.75"

S238 - 3500 lb. Axles ⌀2.375"

S300 - 5,200, 6,000, Axles ⌀3.00"

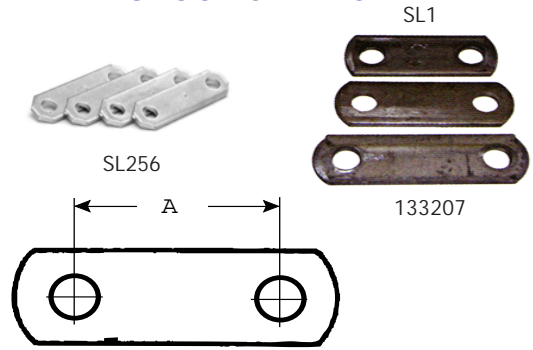
7626 - 7,000 lb. Axles ⌀3.00"

3-48 - 8,000 lb. Axles ⌀3.50"

3-51 - 9,000 lb. Axles ⌀4.00"

3-66 - 10,000, 12,000,
and 15,000 lb. Axles ⌀5.00"

Shackle Links



- 18-11** Shackle Link **A 2"**
- SL1** Shackle Link **A 2.25"**
- SL256** Shackle Link **A 2.56"**
- 133207** Shackle Link **A 3.13"**

Bushings



126171 Bronze Bushing

14-54-1

NB1THIN - Nylon Bushing (.71" O.D. 23/32)

126171 - Bronze Bushing for use w/7-187 shackle bolt (.57" ID .69" OD 1.74" LONG)

14-54-1 - Nylon Bushing (.57" ID 1.31" OD 2.20" LONG)

Shock Kit

13.75" COLLAPSED
18" EXTENDED



- 135709 Shock Absorber (QTY 2)
- 12-55-1 Shock Plate
- 09351605 Upper Bracket