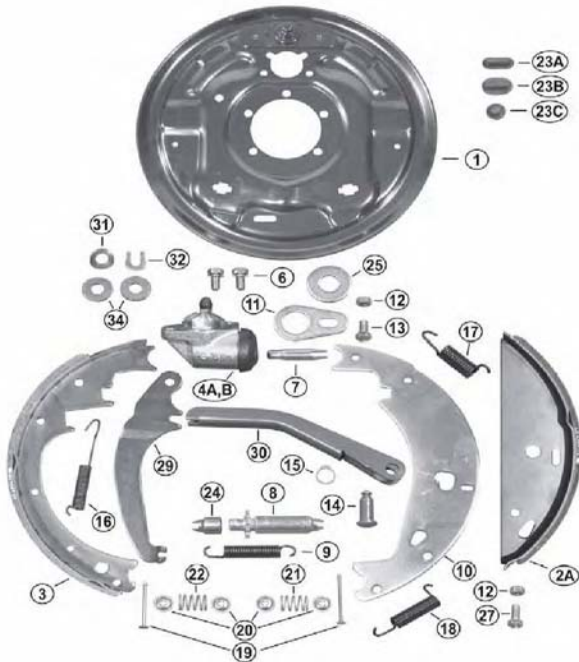
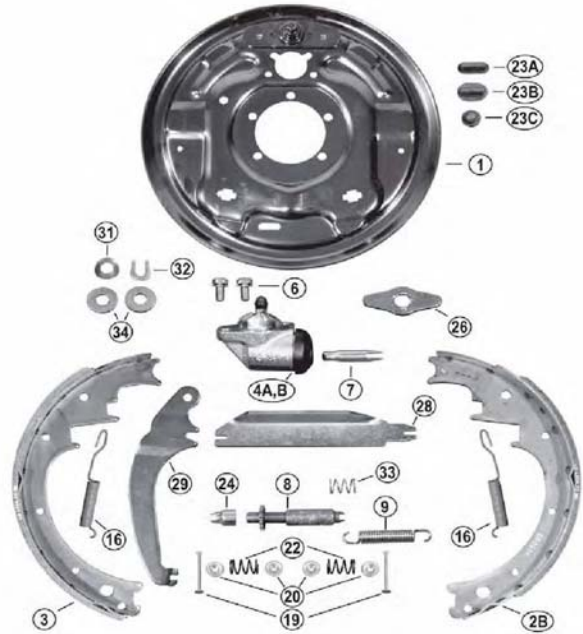




12" Free Backing Brake Diagram



12" Uni-servo Brake Diagram



42028 Right Hand
42029 Left Hand

Parts List for Brake Diagrams

Ref No.	Part #	Description	Free Back
1	44859	Back Plate	1
2A	18497	Front Shoe Assembly (Bonded)	1
3A	18503	Rear Shoe Assembly (Bonded)	1
4A	9776	Wheel Cylinder Assembly — Right	1
4B	9777	Wheel Cylinder Assembly — Left	1
6	23457	Cap Screw & lock washer	2
7	9783	Push Rod	1
8	44854	Adjusting Screw Assembly	1
9	9784	Spring Adjusting Screw	1
10	46224	Shoe lever	1
11	17917	Travel Link	1
12	17406	Locknut	2
13	7949	Hex Cap Screw	1
14	9796	Anchor Pin	1
15	7780	Retaining Ring	1
16	9786	Spring—Shoe	1
17	9785	Spring—Lever	1
18	6814	Spring—Shoe	1
19	18508	Pin—Shoe Hold Down	1
20	9789	Cup—Shoe Hold Down	4
21	9790	Spring—Hold Down	1
22	9791	Spring-Hold Down	1
23A	24757	Plug, Adjusting screw slot	1
23B	47446	Plug, Parking Brake opening	1
23C	47459	Plug, Flush Kit Hole	1
24	18836	Socket, adjusting screw	1
25	18950	Washer	1
27	12972	Hex Cap Screw	1

Parts List for Brake Diagrams

Ref No.	Part #	Description	U-S
1	44859	Back Plate	1
2B	23492	Front Shoe Assembly (Bonded)	1
3A	18503	Rear Shoe Assembly (Bonded)	1
4A	9776	Wheel Cylinder Assembly — Right	1
4B	9777	Wheel Cylinder Assembly — Left	1
6	23457	Cap Screw & lock washer	2
7	9783	Push Rod	1
8	23323	Adjusting Screw Assembly	1
9	9784	Spring Adjusting Screw	1
15	7780	Retaining Ring	1
16	9786	Spring—Shoe	1
19	18508	Pin—Shoe Hold Down	2
20	9789	Cup—Shoe Hold Down	4
21	9790	Spring—Hold Down	1
22	9791	Spring-Hold Down	2
23A	24757	Plug, Adjusting screw slot	1
23B	47446	Plug, Parking Brake opening	1
23C	47459	Plug, Flush Kit Hole	1
24	18836	Socket, adjusting screw	1
26	44460	Shoe guide plate	1
31	9794	Spring washer	1
32	9795	Retainer	1
33	44992	Spring	1
34	44896	Washer	2