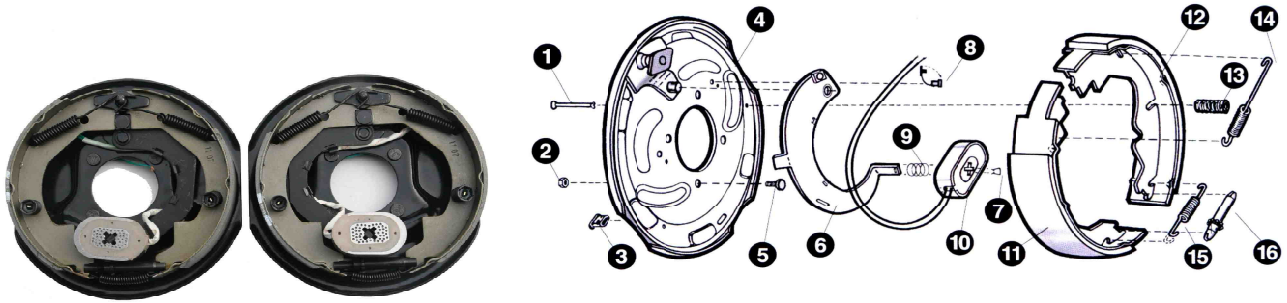
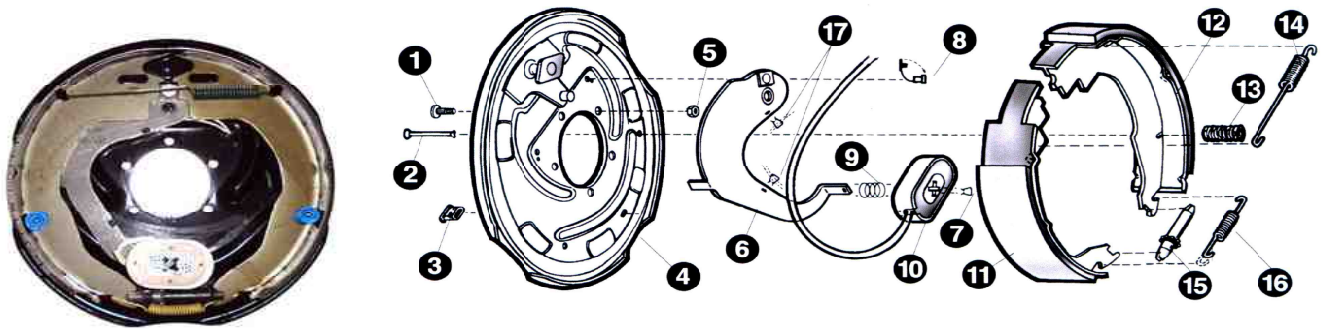


10 X 2-1/4" ELECTRIC BRAKE



No.	DESCRIPTION	Part No.	Other Part No.	No.	DESCRIPTION	Part No.	Other Part No.
0	RH BRAKE ASSEMBLY	363383.1	23-27	7	MAGNET CLIP	568092	5121
0	LH BRAKE ASSEMBLY	363383.2	23-26	8	STRAIN RELIEF	568090	
1	SHOE PIN	568094	5353	9	MAGNET SPRING	568103	
2	MOUNTING NUT 7/16"	363312	6-17	10	MAGNET ASSEMBLY	K568119	71-104
3	SLOT PLUG	568089	5410	11	SHOE ASSEMBLY	K568112	71-47
4	BACKING PLATE	N/A	N/A	12	SHOE HOLD DOWN	568093	5353
5	MOUNTING STUD 7/16	363900	7-41	13	SHOE HOLD DOWN	568093	5353
6	RH LEVER LH LEVER (SHOWN)	568121 568122	6205 6206	14	SPRING	568097	5304
				15	ADJUSTER SPRING	568095	
				16	ADJUSTER KIT	136453	5404

12 X 2" ELECTRIC BRAKE



No.	DESCRIPTION	Part No.	Other Part No.	No.	DESCRIPTION	Part No.	Other Part No.
0	RH BRAKE ASSEMBLY	363233.1	23-106	7	MAGNET CLIP	568092	5121
0	LH BRAKE ASSEMBLY	363233.2	23-105	8	STRAIN RELIEF	568090	
1	BRAKE STUD 3/8"	363989	7-112	9	MAGNET SPRING	568103	
2	SHOE HOLD DOWN	568094	5353	10	MAGNET ASSEMBLY	K568111	71-105
3	SLOT PLUG	568089	5410	11,12	SHOE ASSEMBLY	136444	71-48
4	BACKING PLATE	N/A	N/A	13	SHOE HOLD DOWN	568093	5353
5	MOUNTING NUT 3/8	363333	6-10	14	SPRING	568096	5307
6	RH LEVER LH LEVER (SHOWN)	568113 568114	6211 6212	15	ADJUSTER SPRING	568095	
				16	ADJUSTER KIT	136453	5404
				17	WIRE CLIP		5122