



MODEL DA20 ACTUATOR PARTS BREAKDOWN

Ref NO.	Part NO.	DESCRIPTION	Qty		5783	1.25" Bore Aluminum Master Cyl. Kit Disc	
1	00057	Washer, .25 Spring Lock	4	20	10962 *	DA20 Slide Channel Top	1
2	00062	Nut .25nc Hex	4	21	10963 *	DA20 Slide Channel Bot	1
4	00618	Bolt, .25 Nc X 2.00 Hex Head Gr.5	4	22	10964 *	DA10 & DA20 Spacer	2
6	03409-95	Pin, Front Stock	1	23		Inner Slide Tube, Offset Channel (Shown)	1
7	03410-95	Cold Headed Clevis Pin, .625	1			Inner Slider Tube Channel Center	-
8	03411-95	Cold Headed Clevis Pin, .875	2			Inner Slider Tube Channel Up	-
9		DA20 Outer Case see page 12 for others	1	24	12396	Rue Ring Lock Cotter 5/8 Shaft	1
10	03534	Push rod Assy-DA20	1	25	12397	Rue Ring Lock Cotter, 7/8 Shaft	2
	11724	1.25" Bore Push rod Assy	-	26	12557	Fill Plate for Master Cylinder	1
11	03866-95	Emergency Lever Guide	1	27	05408	Replacement Safety Cable	1
12	03876	Master Cylinder Cap Assembly	1	28	SB12426	Shock, Dampener	2
	05849	O-Ring (Replacement)		-	BH21003	Replacement Towable/Not Towable Decal	-
13	05424	Washer, .313 External Tooth Lock	2	29	05687	Replacement Master Cyl. Rubber Boot	1
14	05679**	Brake Fitting .125 Full Flow	1	-	5401	Lever Replacement Kit (incl. items w/**)	-
15	05693-95	Spring, Safety Lever	1	-	5944	Slide Replacement kit (incl. items w/**)	-
16	05951	Emergency Lever	1				
17	05961	Bolt, .313 Nc X .625 Hex Head Gr5	2				
18	09153	Cork Gasket I/Master Cylinder	1				
19	5650	Composite Master Cylinder Drum Kit	1				
	5672	Composite Master Cylinder Kit Disc					

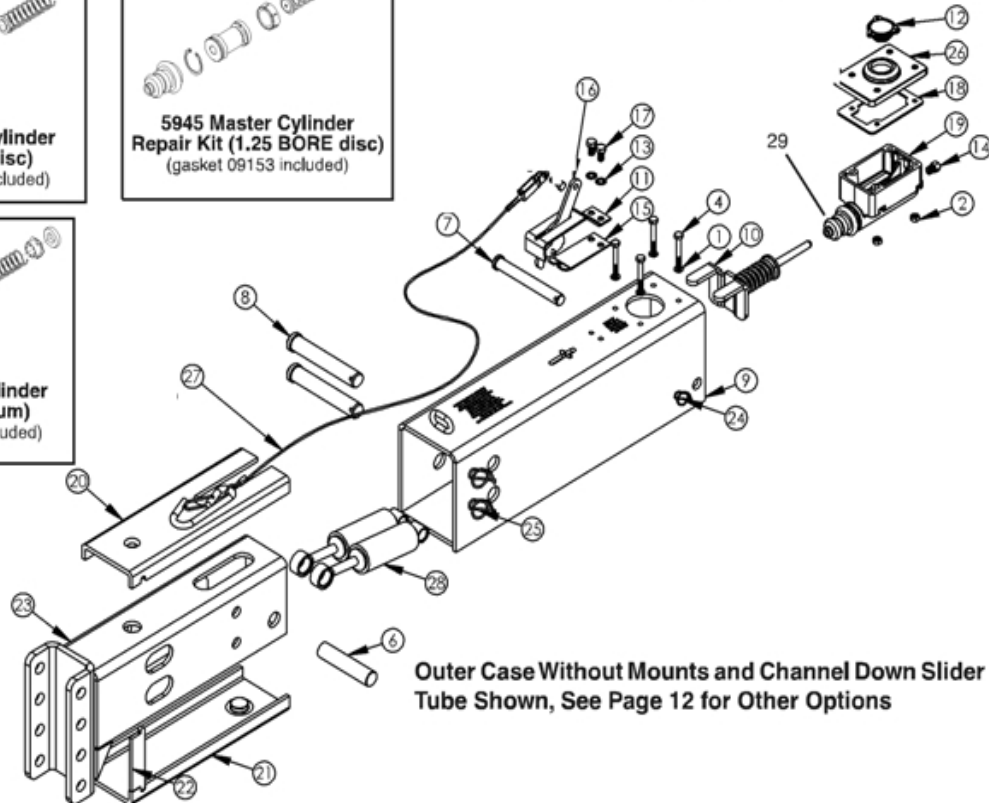
Please order replacement parts by **PART NO. COLOR** and **DESCRIPTION**

Note: -?? = -95 Plated -97 Primed Red -35 Black

**** (OPTIONAL) BRAKE FITTING**

- 05679 - .125 Full Flow
- SB12099 - .031 Orifice
- SB12100 - .024 Orifice
- SB12098 - .016 Orifice

LARGE BORE MASTER CYLINDER RECOMMENDED FOR THREE AXLE & UP



Outer Case Without Mounts and Channel Down Slider Tube Shown, See Page 12 for Other Options