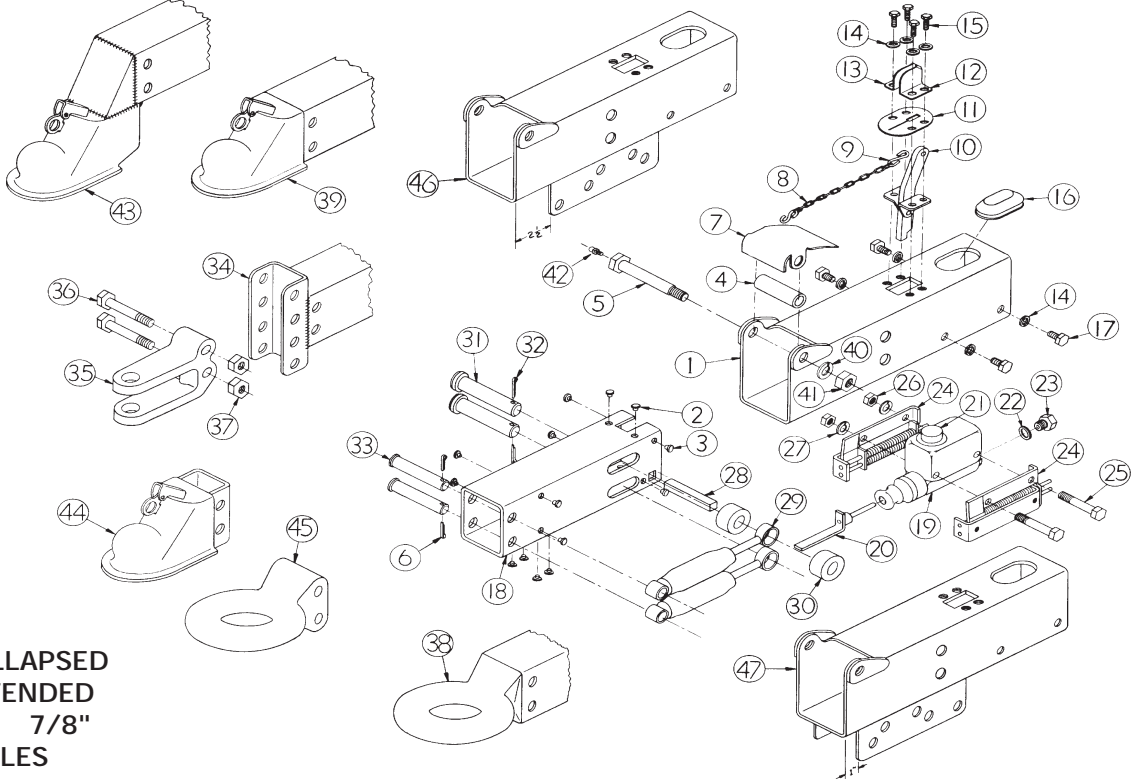


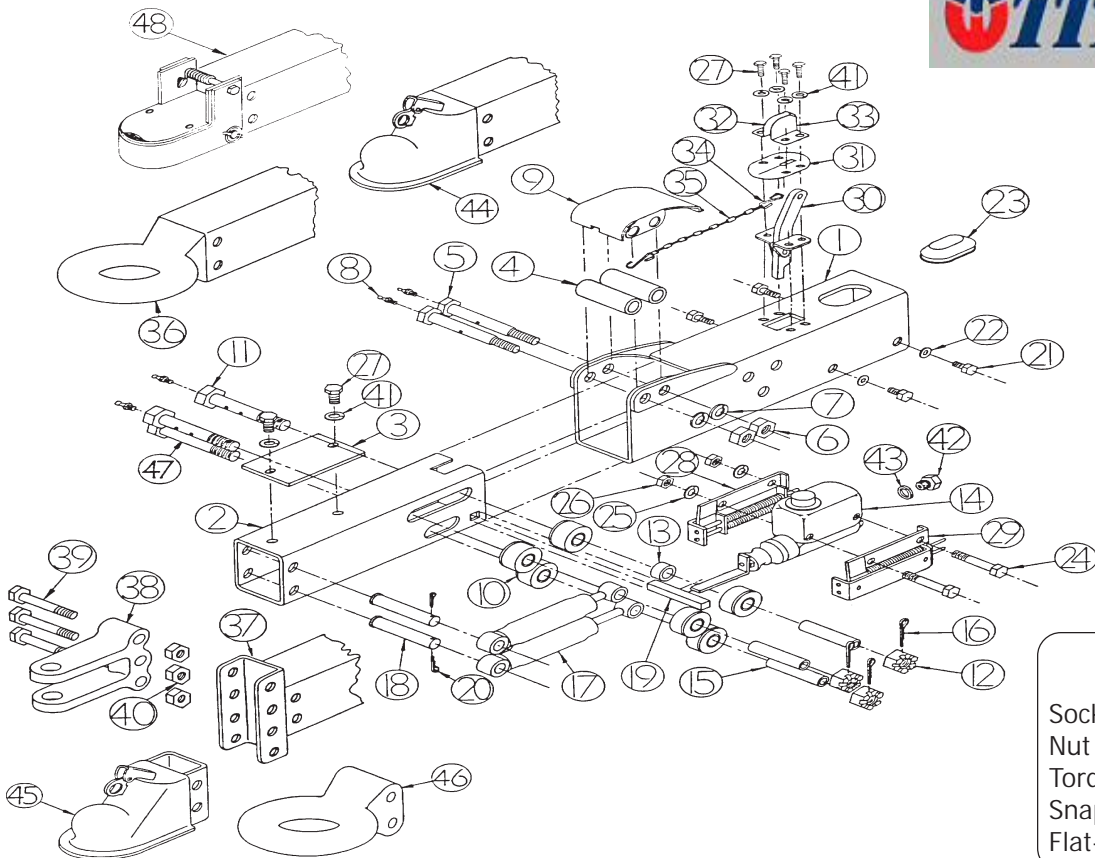


MODEL 10 PARTS LIST



6" COLLAPSED
8" EXTENDED
5/8" 7/8"
HOLES

MODEL 20 PARTS LIST



- Recommended Tools:**
- Socket and wrench sets
 - Nut drivers
 - Torque wrench
 - Snap Ring Pliers
 - Flat-blade screw driver