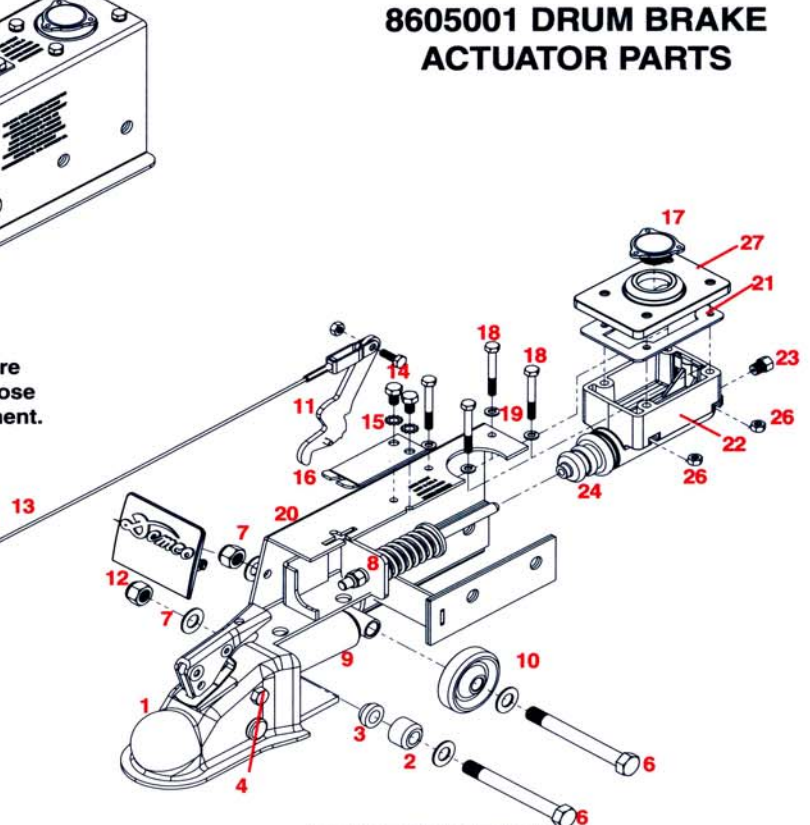
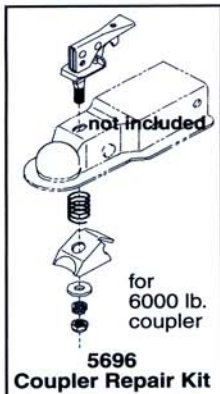


Do not tighten these bolts. They are factory torqued and must remain loose enough to allow free coupler movement.



**ACTUATOR PARTS LIST**

REF. NO.	PART NO.	QTY.	DESCRIPTION
1.	12190-95	1	6000# 2" Lever Lock Coupler
2.	SB23278	2	Roller
3.	12151	2	Front Roller Spacer
4.	02166	1	3/8"-16UNC X 2-3/7" Hex Head Bolt (gr.5)
5.	07176	1	3/8"-16UNC Stover Lock Nut
6.	05684	2	1/2"-13UNC x 4-7/16" Hex Head Bolt (gr.5)
7.	02178	2	1/2"-13UNC Nylon Insert Lock Nut
8.	12193	1	Push Rod Assembly
9.	05692	1	Dartpener/ Shock
10.	12103	2	Rear Roller Spacer
11.	*05951	1	Emergency Lever
12.	12187	1	Front Cover Composite Black
13.	*12200	1	28" Cable
14.	05960	2	5/16"-18UNC x 1/2" Self-Tapping Screw
15.	05424	2	5/16" External Tooth Lock Washer
16.	*05693-95	1	Emergency Lever Spring
17.	03876	1	Master Cylinder Cap w/ Diaphragm & O-ring
18.	**00618	4	1/4-20UNC x 2.00" Hex Head Bolt
19.	**00057	4	1/4" Spring Lock Washer
20.	12191-95	1	Outer Case
21.	**09153	1	Replacement Master Cyl. Gasket ONLY
22.	**10616	1	Master Cylinder (Not sold separately)
	5650	-	Master Cylinder Drum Kit(incl. items w/**)
23.	05679	1	.125 Full Orifice
24.	05687	1	Master Cylinder Protective Boot
25.	BH21004	1	Safety Decal (See Page 6)
26.	**00062	4	1/4-20UNC Nut
27.	12557	1	Threaded Cap For Master Cylinder



-	5400-	-	Emergency Lever Replacement Kit (incl. items w/*)
-	5398	-	Master Cylinder Repair Kit w/ gasket
-	5696	-	Coupler Repair Kit (lever lock)

Please order replacement parts by PART NO. and DESCRIPTION.