

Black, Stainless Steel T-Handle Latch

14-gauge steel box, 12-gauge steel door recessed/beveled door, rain channel design, Replaceable doors



1702300

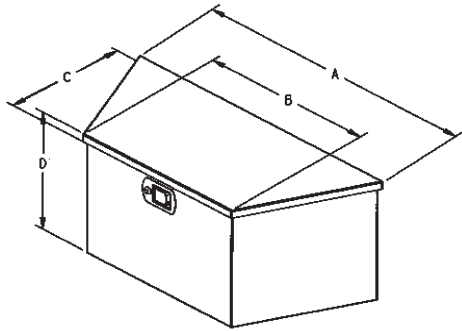


1702310

		LATCH	H	D	W
1702300	Black	1	18" X 18"	X 24"	
1702303	Black	1	18" X 18"	X 30"	
1702305	Black	1	18" X 18"	X 36"	
1702310	Black	2	18" X 18"	X 48"	
1702315	Black	2	18" X 18"	X 60"	

Trailer Tongue Toolbox

Toolboxes are designed to mount to the front of A-frame style trailers. Constructed of .063 mil Diamond Tread Aluminum, 14/12 gauge powder coated Steel with a dual striker stainless steel paddle latch, or molded high density polyethylene.



1701380



1701680



1701280

		A	B	C	D
1701380	Aluminum	34" X 20.75"	X 14.50"	X 15"	
TP502	Aluminum	44" X 17.25"	X 27.75"	X 20.75"	
1701385	Aluminum	49" X 37.00"	X 15.00"	X 18.5"	
1701680	Poly	36" X 18.00"	X 19.00"	X 18"	
1701280	Steel	34" X 20.75"	X 14.25"	X 16"	
1701285	Steel	49" X 33.00"	X 16.00"	X 16"	

Polished Stainless Steel Underbody Toolbox

- 100% Polished stainless steel box and door
- D-Bulb door seal
- Die cast T-handle compression latch
- Stainless steel continuous hinge is watertight and rustproof

1702650	Stainless Steel	18" X 18" X 24"
1702653	Stainless Steel	18" X 18" X 30"
1702655	Stainless Steel	18" X 18" X 36"
1702660	Stainless Steel	18" X 18" X 48"



Aluminum Recessed Door Toolbox

.100 mil polished diamond tread aluminum
Rain channel design
1/2" door gasket (automotive style)
Continuous hidden hinge protects form moisture and road dirt
Stainless steel locking die cast T-Handle compression latch
Replaceable doors
Doors interchangeable with steel underbody boxes

1705100	Aluminum	18" X 18" X 24"
1705103	Aluminum	18" X 18" X 30"
1705105	Aluminum	18" X 18" X 36"
1705110	Aluminum	18" X 18" X 48"
1705150	Aluminum	14" X 12" X 24"